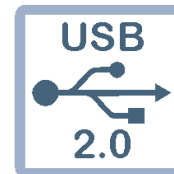
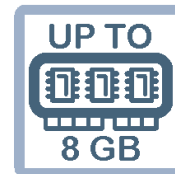
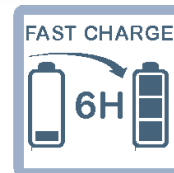
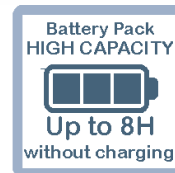


### Computerized cart for semi-industrial environments



- ✓ Designed for long-term use in semi-industrial environments.
- ✓ Customizable (on request) with additional accessories such as: label printer, barcode reader, etc.
- ✓ Base configuration with LCD 19" LED display, customizable with any VESA100 compatible display up to 24", also with touchscreen function.
- ✓ Display support VESA100 with adjustable tilt.
- ✓ Easy to handle even in the presence of small slopes thanks to large anti-static wheels.
- ✓ Easy handling due to the large ergonomic handle.
- ✓ High operating autonomy without connection to the mains power supply.
- ✓ Charging station not needed, battery charge and charge indicator are integrated into cart.





<b>ACUS</b>	<b>Description</b>	Battery powered computerized cart for semi-industrial environments.
	<b>Shelf</b>	Shelf with integrated stainless steel keyboard (97key) & trackball with IP65 protection degree
	<b>Wheels</b>	Front: 125mm, anti-static Rear: 125mm, anti-static, parking brake
	<b>Handling</b>	Ergonomic front and rear handle
	<b>Display support</b>	Tilt from 0° (vertical) to 90° (horizontal) Reference standard : VESA100 Note : The base version is equipped with a 19" display (see next page). Different display screens can be installed on request, also with touchscreen function.
<b>Power system</b>	<b>Battery operation</b>	Up to 8* hour *Estimated lifespan with one 100Ah@12V battery in perfect working conditions and 100% of charging, used in conjunction with a J1900 CPU and 19" display system with an average 70% processing power output.
	<b>Battery replacement</b>	The battery is integrated into the structure and can only be replaced at the end of its life cycle. This operation can only be performed by a specialized and authorized operator.
	<b>Charging indicators</b>	Built-in led bar charge indicator integrated into the base.
	<b>Safety</b>	1 x 80mm fan integrated in the base to prevent overheating. 1 x Battery Switch 1 x External power supply switch
	<b>Internal battery</b>	<b>Capacity</b>
<b>Voltage</b>		Nominal tension : 12V DC
<b>Type</b>		AGM (Absorbent Glass Mat)
<b>Storage</b>		To ensure good operation, the cart must be stored with at least 70% charge and for periods not exceeding 6 months. For storage times longer than 6 months, charge maintenance cycles are planned.

<b>Charging system</b>	<b>Charging mode</b>	The cart is charged directly from the mains (no need for other external equipment)
	<b>Supported voltages</b>	230V @ 50Hz
	<b>Charging times</b>	Estimated in about 6h (25% to 100%)
<b>Mechanical characteristics</b>	<b>Dimensions (L x H x D)</b>	Dimensioni complete compressive x x mm
	<b>Weight</b>	75KG in medium configuration
	<b>Colour</b>	Black
	<b>Product Certification</b>	<b>Reference marks</b>
<b>Directives</b>		Built according to European Directive 2014/30 / EU (EMCD), 2014/35 / EU (LVD) and 2011/65 / EU (RoHS)
<b>Reference standards</b>		UNI EN ISO 9001
<b>Company Certification</b>	<b>Product code</b>	CNACUS01-17-01
<b>Ref. code</b>	<b>Ref. Doc.</b>	ZST-4292-00000004-00



[www.intercomp.it](http://www.intercomp.it)

Intercomp S.p.A.  
Via della Scienza 27  
37139, Verona, Italia  
Tel +39 045-8378411  
Fax +39 045-8510539



**ISO 9001:2008**  
[intercomp@intercomp.it](mailto:intercomp@intercomp.it)

The product may differ from the images shown. All registered names and trademarks are legitimate owners. All features and specifications can be changed without prior notice.  
Update 04/05/2017



<b>System</b>	<b>Processor</b>	Intel® Celeron® Processor J1900 Quad Core, 2M Cache, up to 2.42 GHz, TDP 10W
	<b>Slot di espansione</b>	1 x Full mini PCIe x1 (for WiFi card) 1 x Full mini PCIe x1 & mSATA
<b>Memory</b>	<b>Memory expansion</b>	Up to 8GB
	<b>Type</b>	DDR3L SO-DIMM 1333MHz
<b>Internal I/O interfaces</b>	<b>Slot</b>	1
	<b>USB</b>	1 x USB 3.0 1 x USB 2.0
	<b>Audio</b>	1 x Jack 3.5mm Microphone 1 x Jack 3.5mm LineOut (Headphone)
	<b>LAN</b>	2 x RJ45
	<b>Video</b>	1 x HDMI 1 x VGA
	<b>Serial</b>	1 x RS232
	<b>Button &amp; Led</b>	1 x Reset button 1 x HDD led
	<b>External I/O interfaces</b>	<b>Button &amp; Led</b>
<b>USB</b>		2 x USB 2.0
<b>Storage</b>	<b>SSD/HDD bay</b>	1 x 2.5" SSD/HDD SATA 1 x SSD mSATA
	<b>Integrated storage controller</b>	SATA2 3.0 Gb/s
<b>Video subsystem</b>	<b>LCD panel</b>	19" TFT LCD
	<b>Aspect ratio</b>	5:4
	<b>Resolution</b>	1280 x 1024
	<b>View Angles</b>	Orizzontale: 170° / Verticale: 160°
	<b>Color</b>	16.7 milioni
	<b>Brightness</b>	250 cd/m <sup>2</sup>
	<b>Contrast ratio</b>	1000:1
	<b>Response time</b>	5ms
	<b>Touchscreen</b>	NO
	<b>Integrated Graphic adapter</b>	Intel® HD Graphics Graphics Base Frequency 688.00 MHz Graphics Max Dynamic Frequency 854.00 MHz Displays supported 2 (@ the same time)
<b>Audio subsystem</b>	<b>Integrated Audio adapter</b>	Intel® HD Audio
	<b>Channel</b>	2
	<b>Integrated speakers</b>	2 x 2W
<b>Network subsystem</b>	<b>Integrated LAN adapter</b>	2 x 10/100/1000 Intel i211AT Gigabit LAN
	<b>WiFi</b>	2 x WiFi antenna



[www.intercomp.it](http://www.intercomp.it)

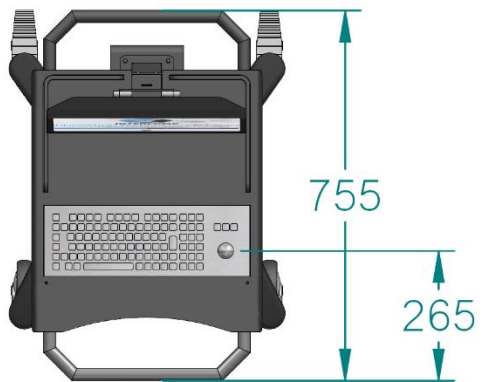
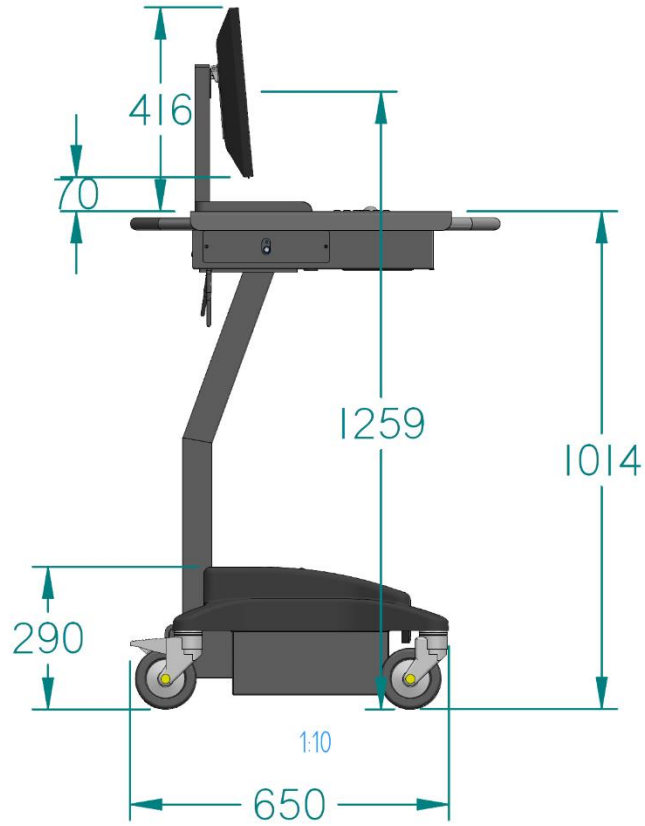
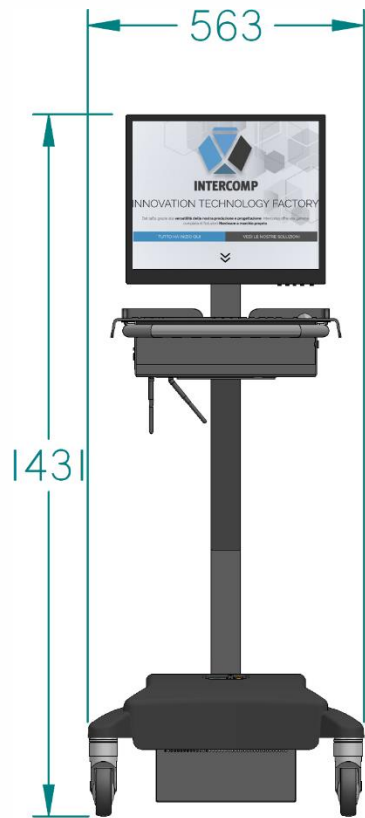
Intercomp S.p.A.  
Via della Scienza 27  
37139, Verona, Italia  
Tel +39 045-8378411  
Fax +39 045-8510539



**ISO 9001:2008**

[intercomp@intercomp.it](mailto:intercomp@intercomp.it)

The product may differ from the images shown. All registered names and trademarks are legitimate owners. All features and specifications can be changed without prior notice.  
Update 04/05/2017



All dimensions are expressed in millimeters (mm)