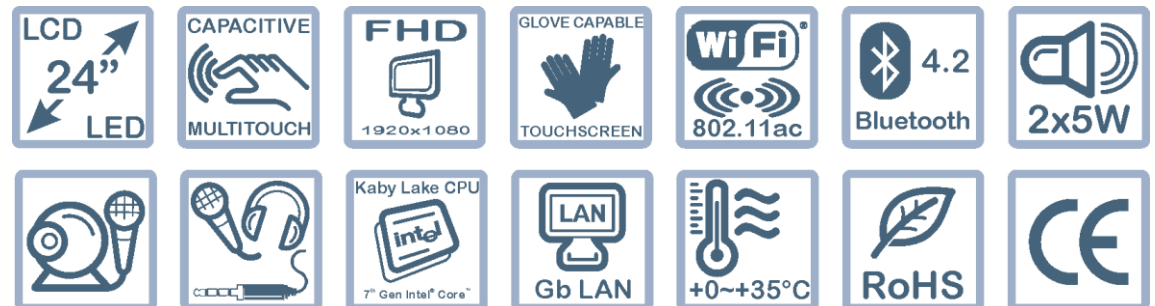


Siena240T

Digital Signage indoor kiosk



- ✓ Elegant and not bulky thanks to a very thin design
- ✓ Plexiglass support for billboards
- ✓ Large 24" LCD display with LED backlight
- ✓ Glove capable touchscreen, up to 10 touch point
- ✓ Solid painted steel structure
- ✓ Integrated speakers, webcam & microphone
- ✓ WiFi 802.11ac, Bluetooth 4.2 & Gigabit LAN
- ✓ High processing capacity thanks to Intel® Core™ 7th gen. processors



Siena240T



Digital Signage indoor kiosk

System	Processor	Socket LGA 1151 Intel® Core™ 6 th & 7 th gen. Intel® Core™ i7 / Core™ i5 Core™ i3 / Pentium
	Chipset	Intel® H110 Express Chipset
	BIOS	128Mbit flash, AMI UEFI BIOS, DMI 3.0, WfM 2.0, SM BIOS 3.0, ACPI 5.0
	Expansion slots	1 x M.2 M key, 2242/2260 storage dev. (SATA & PCIe) 1 x M.2 E key, 2230 Wi-Fi/BT dev. (PCIe & USB)
Memoria	Max expansion	32GB
	Type	DDR4 2400/2133 SO-DIMM
	Size	4GB, 8GB, 16GB
Display lateral I/O interface	Slot	2
	Audio	1 x Jack 3.5mm headphone 1 x Jack 3.5mm microphone
	USB	4 x USB 3.0 2 x USB 2.0
	Audio LAN	2 x Jack 3.5mm 1 x RJ45
	Video	1 x DP (Display Port) 1 x HDMI
Lower base I/O interface	LAN	1 x RJ45
Storage	Integrated SATA controller	1 x M.2 Socket3 (Socket 3, M key, 2242/2260 SATA & PCIe SSD) 2 x SATA3 6Gb/s
	Card Reader	6 in 1 Card Reader SD/XD/MMC
	HDD/SSD bay	1 x HDD/SSD SATA 3.5"
	ODD bay	1 x Slim DVD +R+RW-R-RW
Graphic subsystem	Integrated video apapter	Intel® HD Graphics (Features depend on installed CPU) Memoria condivisa massima : 1024MB
	Integrated LCD	23.6" TFT LCD – Led Backlight Full HD 16:9 1920x1080
	Max resolution on external video ports	HDMI : 4096 x 2160 @ 24 Hz / 2560 x 1600 @ 60 Hz DP : 4096 x 2304 @ 60 Hz
	Contemporary active displays	Max 2 (included integrated LCD)
	Touchscreen	Capacitive projected 10 touches
Multimedia	Webcam	Integrated upper front, 1.3Mpx
	Microphone	Integrated upper front

Audio subsystem	Integrated audio adapter	Realtek® ALC887 7.1-Channel High Definition Audio
	Speaker	2 x 5W (integrated / back display)
	Network subsystem	Integarted LAN adapter 1 x 10/100/1000 Intel® I219V GbE LAN 1 x 10/100/1000 Realtek® RTL8111H GbE LAN
Power	WiFi & BT	Intel Dual Band Wireless-AC 7265 802.11ac, Dual Band, 2x2 Wi-Fi + Bluetooth 4.2
	Integrated power supply	Input : 100-240V Output : 19V, max 135W
Mechanical features	L x H x D	586x1058x355mm
	Weight for medium configuration	28Kg (entire product) 20Kg (only support stand)
	Internal bay	1 x 2" ½
	External bay	1 x slim 5" ¼
Software	Colour	Support stand : Gray wrinkled (RAL 9006) Display : Front glossy black & Back glossy white
	Fixing	Mechanical predisposition for floor fixing
	Supported operating system	Microsoft Windows 7 64bit (only Intel® Core™ 6th) Microsoft Windows 8.1 64bit (only Intel® Core™ 6th) Microsoft Windows 10 64bit
Environment	Operating temp	From + 5°C to + 35°C
	Non operating temp.	From -30°C to +70°C
Certifications	RH	95% @ 30°C non cond.
	Reference Marks	CE, RoHS
Company certifications	Directive	Built according to EU Directive 2014/30/EU(EMCD), 2014/35/EU(LVD) or 2014/53/UE (RED) for WiFi equipped productct. & 2011/65/EU(RoHS)
	Reference standards	UNI EN ISO 9001
Ordering code	CNTOTEMSIENA24-17-00	Totem "Siena240T", LCD 23.6", TouchScreen, Intel H110, Gray RAL 9006. rev.00
	Doc. code	ZST-4292-00000027-00



www.intercomp.it

Intercomp S.p.A.
Via della Scienza 27
37139, Verona, Italia
Tel +39 045-8378411
Fax +39 045-8510539



azienda con sistema di gestione per la qualità certificato
ISO 9001:2008

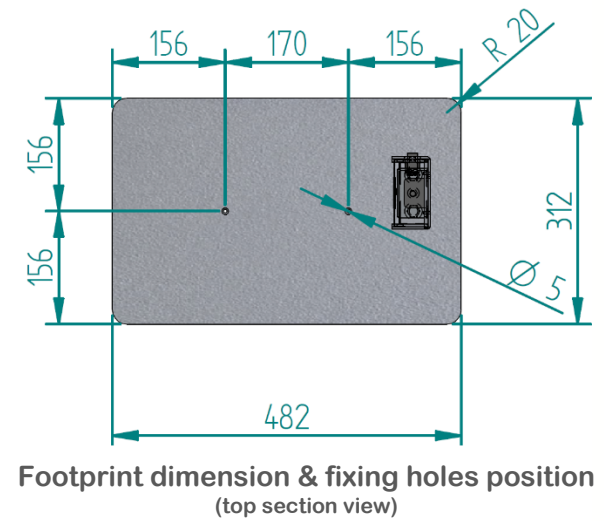
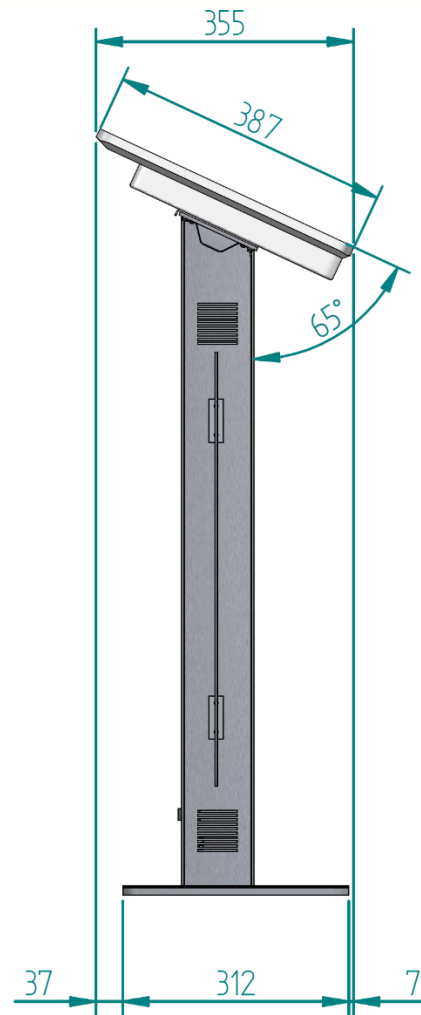
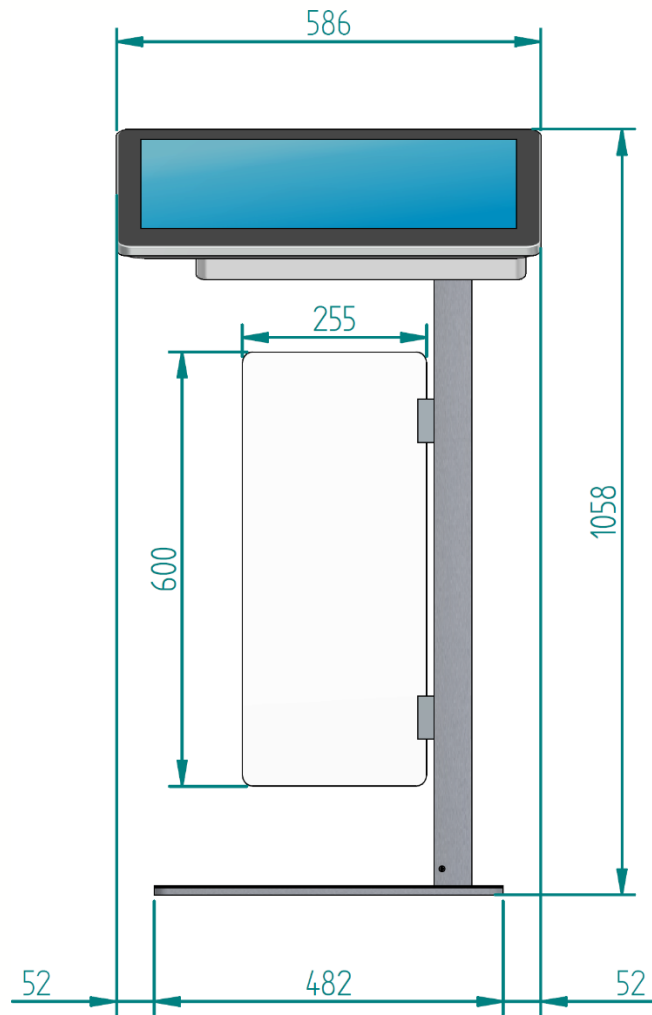
intercomp@intercomp.it

The product may differ from the images shown. All names and registered trademarks are legitimate owners. All features and specifications may be changed without prior notice.
Last update 28/12/2017

Siena240T



Digital Signage indoor kiosk



All dimensions are expressed in millimeters (mm)