

Torino194

Digital Signage indoor kiosk



- ✓ Large 19" LCD Touchscreen display with LED backlight
- ✓ Solid painted steel structure
- ✓ 80mm thermal printer
- ✓ Vandal proof keyboard
- ✓ Integrated speakers
- ✓ LAN & WiFi connectivity
- ✓ High processing capacity thanks to Intel® Core™ processors



Torino194

Digital Signage indoor kiosk



System	Processor	Socket LGA 1151 Intel® Core™ 6 th & 7 th gen. Intel® Core™ i7 / Core™ i5 Core™ i3 / Pentium	
	Chipset	Intel® H110 Express Chipset	
	Expansion slots	1 x PCI Express 3.0 x16 low profile, half length	
Memoria	Max expansion	32GB	
	Type	DDR4-2133 UDIMM 288pin	
	Size	Max size for 1 module : 4GB, 8GB, 16GB	
	Slot	2	
Internal I/O interface*	Note	*Some I/O interfaces are used by the internal devices	
	Serial	1 x RS232 optional	
	LPT	N/A	
	USB		2 x USB 2.0
			2 x USB 3.0
			3 x USB 2.0 optional
	Mouse/keyboard	1 x PS/2	
	Audio	3 x Jack 3.5mm (Line In, Line Out, Mic In)	
	Video		1 x HDMI
			1 x DP (Display Port)
External I/O interface	LAN	1 x RJ45	
Storage	Integrated SATA ctrl	4 x SATA 3 6Gb/s	
	HDD/SSD bay	1 x 2.5"	
Video subsystem	Integrated video adapter	Intel® HD Graphics Features depend on installed CPU	
	LCD Display	19.0" TFT	
	Color	16.2M (6 bit)	
	Viewing angle	H: 170° V: 160°	
	Response time	5ms	
	Brightness	300 cd/m ²	
	Contrast	1000:1	
	Reccomended res.	1280x1024	
	Touchscreen		Standard : Single touch based on SAW technologies Optional : Four touch point base on IR technologies
Audio subsystem	Integrated audio adapter	7.1 High Definition Audio (Codec Realtek® ALC887)	
	Speaker	Mechanical predisposition for two integrated speakers	
Network interface	Integrated network adapter	1 x 10/100/1000 Gigabit Ethernet Controller	
	WiFi (optional)		1 x Wireless High Gain N 150Mbps USB IEEE 802.11n, IEEE 802.11g, IEEE 802.11b
Power Software	Standard PSU	AC INPUT: 100-240V, 60-50Hz	
	Supported operating system	Microsoft Windows 7 64bit Microsoft Windows 8.1 64bit Microsoft Windows 10 64bit	

Mechanical features	Colour	Standard: Gray metallic wrinkled (66024 IN) Optional: Different colors on request, subject to availability and minimum purchase quantity is required.
	L x H x D	510mm x 1434mm x 465mm (without keyboard) 510mm x 1434mm x 637mm (with keyboard)
	Weight	Estimated 55Kg for medium configuration
Environment	Operating temp	From + 5°C to + 35°C
	Non operating temp.	From -30°C to +70°C
	RH	95% @ 30°C non cond.
Certifications	Reference Marks	CE, RoHS
	Directive	Built according to EU Directive 2014/30/EU(EMCD), 2014/35/EU(LVD) or 2014/53/UE (RED) for WiFi equipped product. & 2011/65/EU(RoHS)
Company cert.	Reference std.	UNI EN ISO 9001
Ordering code	CNTOTEM19P-H-17-05T	Totem "Torino194", LCD 19" TOUCH, H110, Gray
	Optional	
	EKIT-17-000007	4 point touchscreen base on IR tech.
	EKIT-17-000010	2 x 10W internal speakers kit for Totem "Torino19X"
	EKIT-IND-WIFI-005A	Kit WiFi SLTP01, 802.11 b/g/n, 150Mbps
	EKIT-17-000026	Omnidirectional Laser Scan Engine : Code 39, Code 93, Code 128, UPC/EAN/JAN, Code 2 of 5, Code 11, Codabar, MSI Plessey, GS1 DataBar, Telepen, Trioptic
	EKIT-TOTEM-ACC-0011	Kiosk keyboard kit : 66 keys, IP65, vandal proof, IT layout, w/o ctrl-alt-del keys
	EKIT-TOTEM-ACC-0012	Kiosk keyboard kit : 66 keys, IP65, vandal proof, IT layout, with ctrl-alt-del keys
	EKIT-TOTEM-ACC-0014	Shelf (w/o keyboard) kit for Totem "Torino19X"
	EKIT-TOTEM-ACC-0017A	Shelf with 1D/2D barcode reader
	EKIT-TOTEM-ACC-0005A	Motor hybrid Card Reader, EMV certified, IC/RFID card read/write, Mag card read only, ISO7816-2, ISO7810 ID-1,7811/1,2,3,4,5 and 6, ISO/14443
	EKIT-TOTEM-ACC-0005B	Manual Card Reader, IC card read/write, Mag card read only, ISO/IEC 7811 JIS X6301/6302, Tr.1/2/3, ISO/IEC 7816 JIS X6303, EMV Ver.4.0 Approved
	EKIT-TOTEM-ACC-0004A	125KHz Rfid card reader
	EKIT-TOTEM-ACC-0004B	125KHz & 13.56MHz Rfid card reader
	EKIT-17-000025	Thermal printer 80mm, 203dpi, 90mm roll, with cutter
	Doc. code	ZST-4292-00000028-00



www.intercomp.it

Intercomp S.p.A.
Via della Scienza 27
37139, Verona, Italia
Tel +39 045-8378411
Fax +39 045-8510539



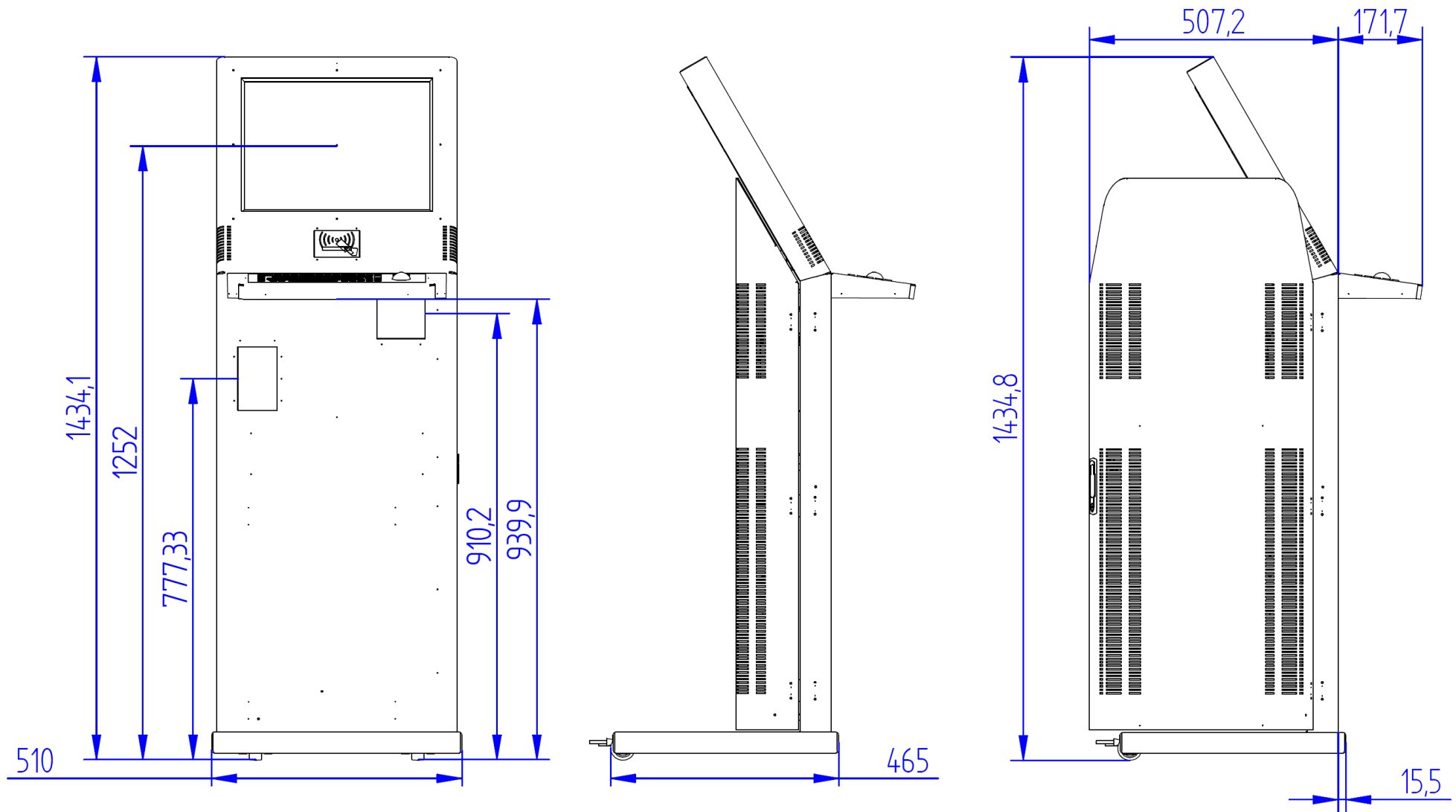
azienda con sistema di gestione per la qualità certificato
ISO 9001:2008

intercomp@intercomp.it

The product may differ from the images shown. All names and registered trademarks are legitimate owners. All features and specifications may be changed without prior notice.
Last update 08/01/2018

Torino194

Digital Signage indoor kiosk



All dimensions are expressed in millimeters (mm)